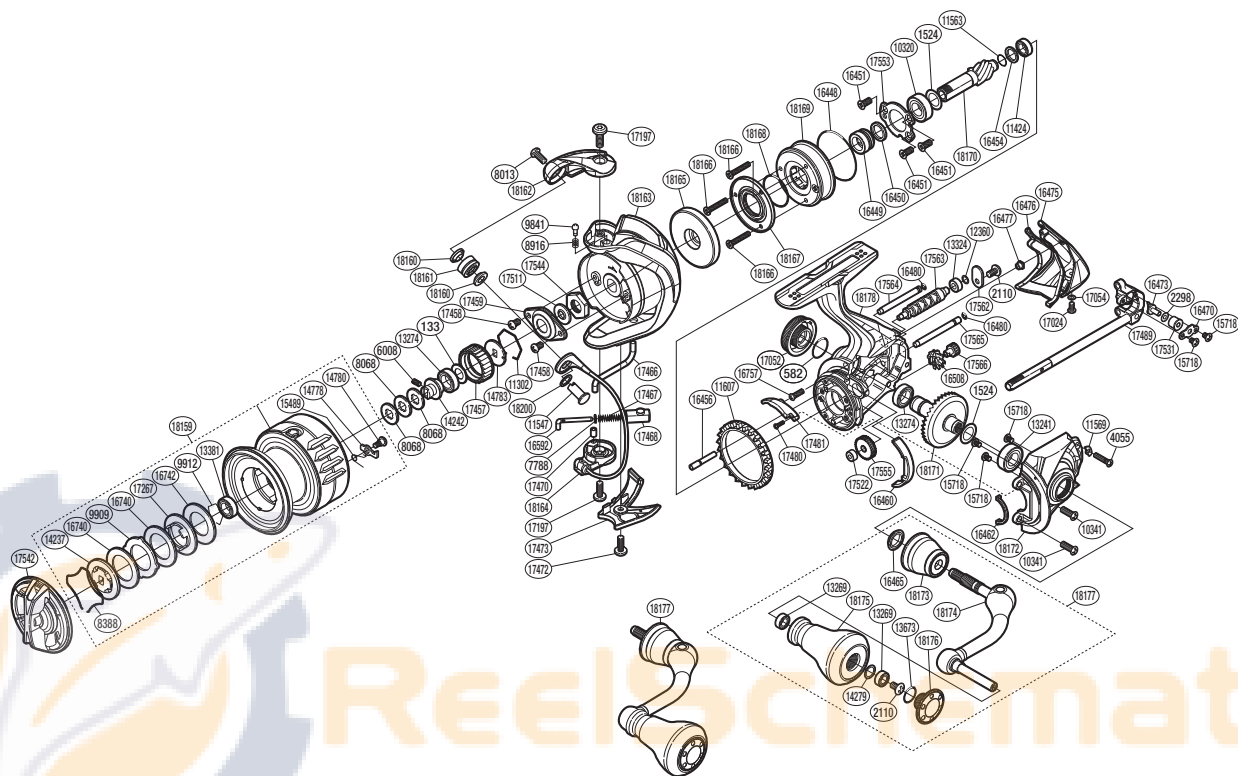


SHIMANO

TWIN POWER SA-RB

TPXD-C3000XG



Please note that the number of adjusting washers may not be the same as shown in the exploded views. (51SF10E033X) (Adjustment will vary with each individual product.)

Part No.	Description	Part No.	Description	Part No.	Description
RD 0133	Anti-Reverse Pawl Spacer	RD16448	O Ring	RD17522	Worm Bushing (Front) ***
RD 0582	O Ring	RD16449	Roller Clutch Inner	RD17531	Oscillating Slider Bushing ***
RD 1524	Washer **/**	RD16450	Roller Clutch Inner Spacer	RD17542	Drag Knob
RD 2110	Screw	RD16451	Screw	RD17544	Rotor Nut
RD 2298	Spacer ***	RD16454	Pinion Gear Spacer **	RD17553	Bearing Retainer
RD 4055	Screw	RD16456	Idle Gear B Shaft	RD17555	Idle Gear *
RD 6008	Set Screw	RD16460	Friction Ring Spacer	RD17562	Worm Shaft Retainer
RD 7788	Spring Guide A Support	RD16462	Flange Water Proof	RD17563	Worm Shaft ***
RD 8013	Screw ****	RD16465	Handle Shaft Seal	RD17564	Oscillating Guide A
RD 8068	Spool Washer	RD16470	Oscillating Pawl Cover	RD17565	Oscillating Guide B
RD 8388	Drag Washers Retainer	RD16473	Oscillating Pawl ***	RD17566	Idle Gear B S *
RD 8916	Click Spring	RD16475	Rear Protector	RD18159	Spool Assembly
RD 9841	Click Pin	RD16476	Rear Shield	RD18160	Bearing Spacer ****
RD 9909	Eared Washer	RD16477	Rear Protector Collar	RD18161	Line Roller(With Bearing) ****
RD 9912	Bearing Retainer	RD16480	O Ring	RD18162	Bail Arm
RD10320	Ball Bearing **	RD16508	Idle Gear B L *	RD18163	Rotor
RD10341	Screw	RD16592	Bail Spring Guide A	RD18164	Bail Assembly
RD11302	Ratchet Spring	RD16740	Drag Washer	RD18165	Rotor Ring
RD11424	Ball Bearing **	RD16742	Drag Washer	RD18166	Screw
RD11547	Line Roller Support ****	RD16757	Screw	RD18167	Roller Clutch Reinforce
RD11563	Worm Shaft Ring **	RD17024	Screw	RD18168	O Ring
RD11569	Screw Washer	RD17052	Handle Screw Cap	RD18169	Roller Clutch Assembly
RD11607	Friction Ring	RD17054	Washer	RD18170	Pinion Gear *
RD12360	Washer ***	RD17197	Screw	RD18171	Drive Gear *
RD13241	Ball Bearing **	RD17267	Key Washer	RD18172	Side Cover
RD13269	Ball Bearing	RD17457	Drag Click Ratchet	RD18173	Handle Shaft Cover
RD13274	Ball Bearing **	RD17458	Screw	RD18174	Handle Shank Assembly
RD13324	Worm Bushing ***	RD17459	Rotor Nut Lock Plate	RD18175	Handle Knob
RD13381	Ball Bearing	RD17466	Bail Trip Lever	RD18176	Handle Knob Seal
RD13673	O Ring	RD17467	Bail Spring	RD18177	Handle Assembly
RD14237	Key Washer	RD17468	Bail Spring Seat	RD18178	Body
RD14242	Bearing Bushing	RD17470	Bail Spring Guide A Bush	RD18200	Washer ****
RD14279	Washer	RD17472	Screw		
RD14778	Drag Click	RD17473	Bail Hold Support Guard		
RD14780	Screw	RD17480	Screw	PK 0421	Gear Set *
RD14783	Spool Support	RD17481	Bail Trip Strike	PK 0339	Bearing Set **
RD15489	Drag Click Spring	RD17489	Main Shaft Assembly	PK 0348	Oscillation Set ***
RD15718	Screw **	RD17511	Bearing Water Proof	PK 0420	Line Roller Set ****